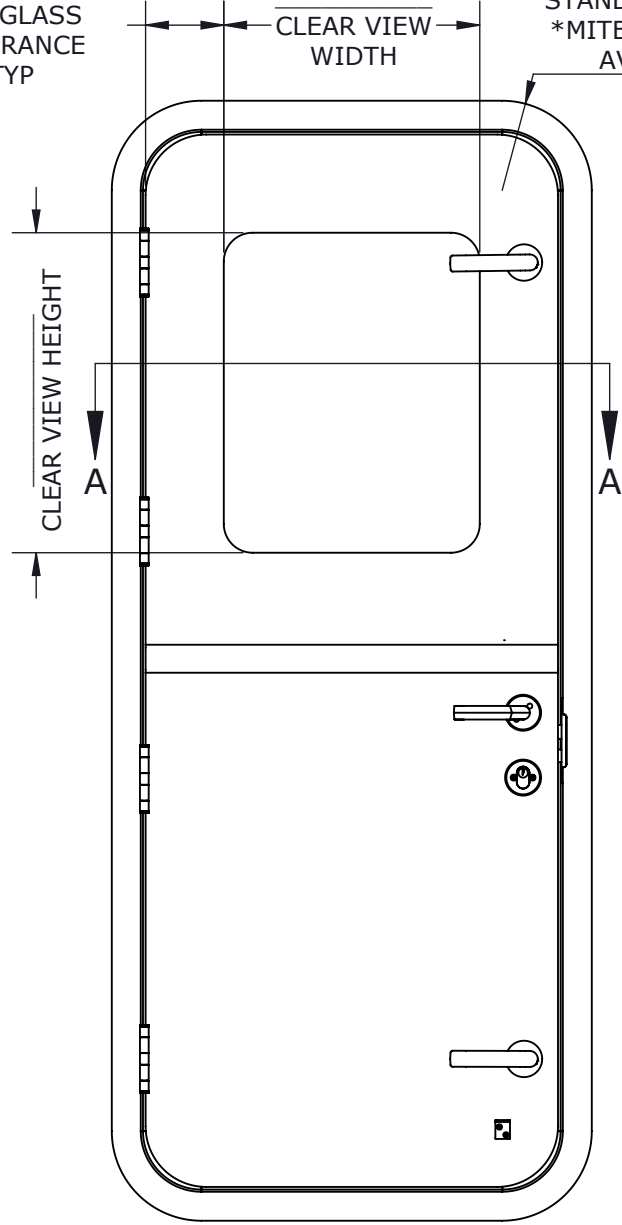
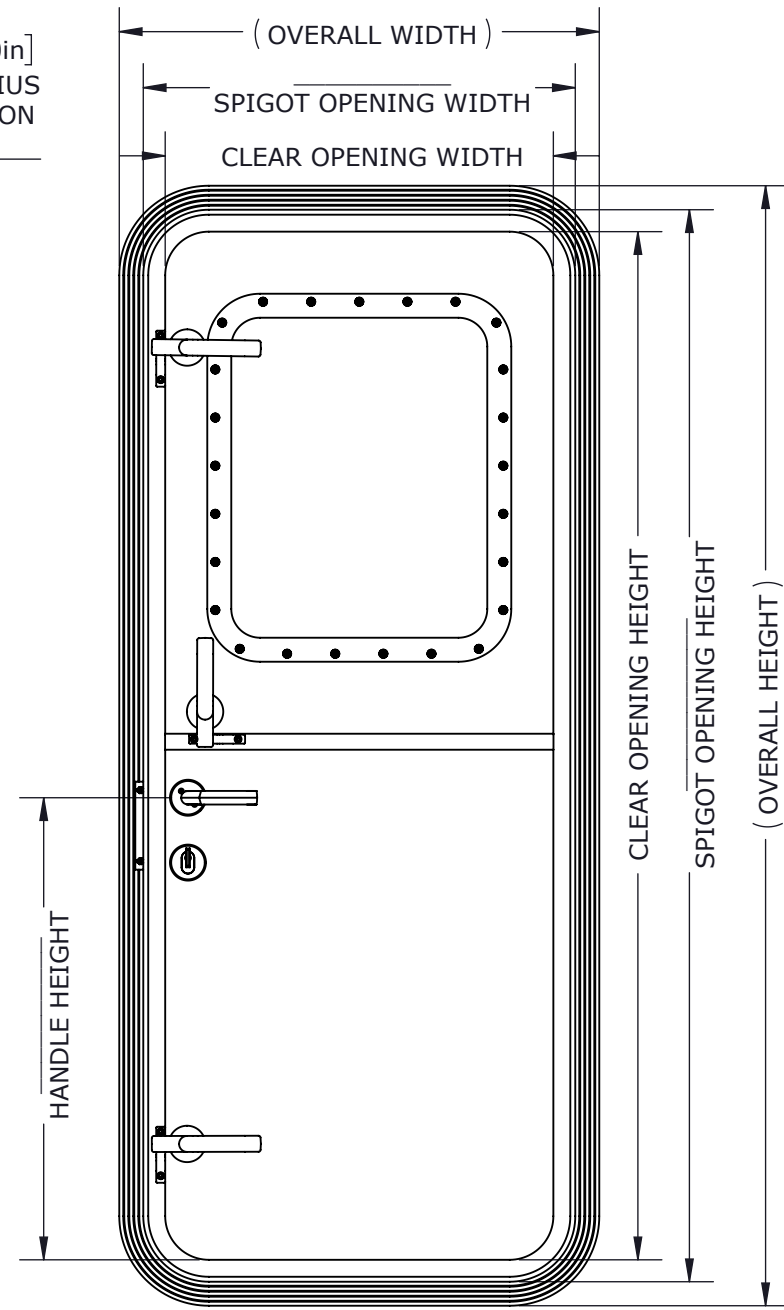


124.1mm [4.89in]
MIN GLASS
CLEARANCE
TYP

R142.2mm [5.60in]
STANDARD RADIUS
*MITERED OPTION
AVAILABLE

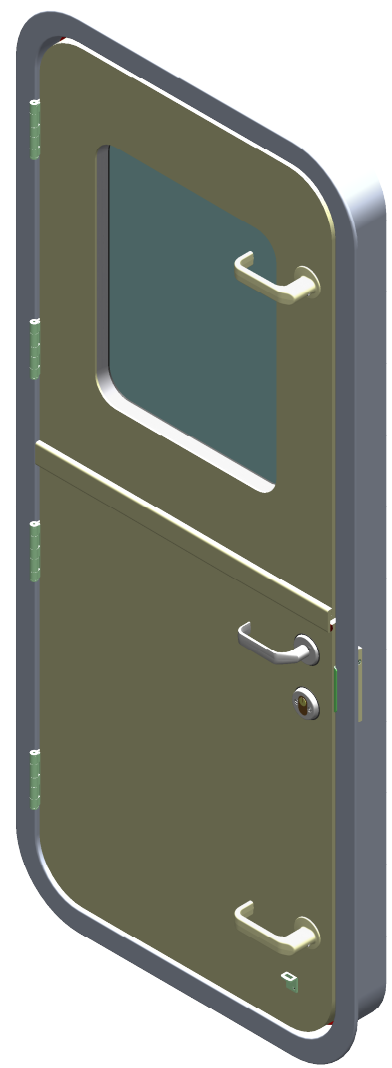


EXTERIOR VIEW

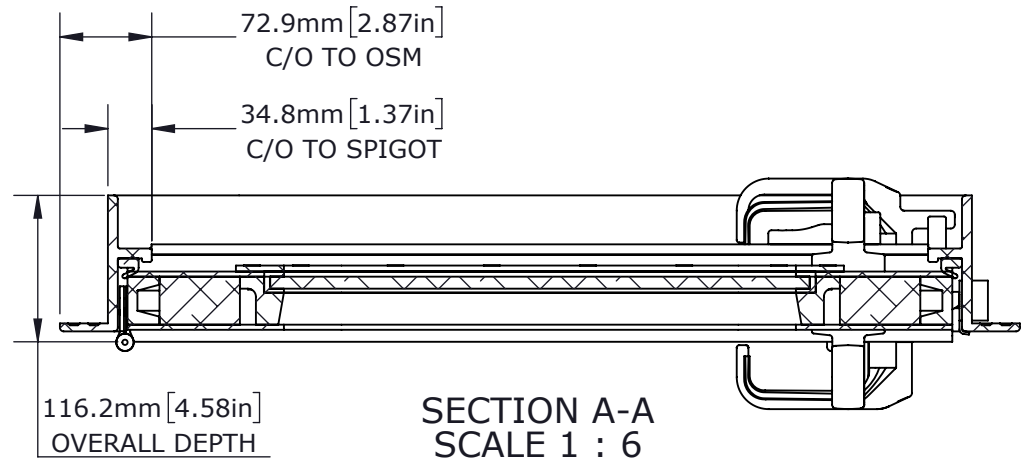


INTERIOR VIEW

OVERALL = SPIGOT OPENING + 76.2mm[3.00in]
CLEAR OPENING = SPIGOT OPENING - 69.6mm[2.74in]
PLATE CUT = SPIGOT OPENING + 6.35mm[0.25in]

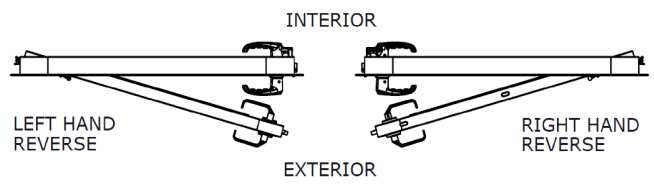
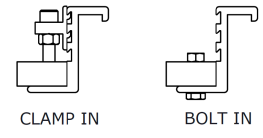


ISOMETRIC VIEW
SCALE 1 : 12



SECTION A-A
SCALE 1 : 6

FRAME STYLES



OPTIONS

HANDING	RIGHT HANDED	
	LEFT HANDED	
LOCK	LOCKING	
	NOT LOCKING	
LOCK MECHANISM	LOCKSET/HANDLE	
	LOCKSET/DEADBOLT	
	PASSAGE SET/HANDLE	
DOG STYLE	ALUMINIUM	
	CONCEALED	
	NYLON	
	STAINLESS STEEL	
WINDOW STYLE	FULL HEIGHT	
	HALF HEIGHT	
	CIRCULAR	
	NO PORTLIGHT	
FRAME STYLE	BOLT IN	
	CLAMP IN	
*CORNER TYPE	MITRED	
	ROUND	

CUSTOMER

ADVANTEC

PROJECT

1511 PCM SALES DRAWING

DESCRIPTION

STANDARD 1511 PCM SERIES
MODEL AND DRAWING

CONTACT	(604) 607-0091	DATE	10/2/2020
---------	----------------	------	-----------



**PACIFIC COAST
MARINE**

DWG TITLE	1511 SERIES DOOR	CAGE CODE	
-----------	------------------	-----------	--

DESCRIPTION	Standard Duty, Dutch Leaf, Semi Custom Series	QTY	
-------------	--	-----	--

COPYRIGHT 2020 ADVANTEC GLOBAL INNOVATIONS. ALL RIGHTS RESERVED. CONFIDENTIAL PROPERTY OF ADVANTEC GLOBAL INNOVATIONS. UNAUTHORIZED USE, REPRODUCTION OR DISTRIBUTION IS STRICTLY PROHIBITED. COPIES REMAIN THE PROPERTY OF ADVANTEC GLOBAL INNOVATIONS AND MUST BE RETURNED UPON REQUEST.

SCALE	DRAWN	DATE	CHECKED	DATE	SIZE
1:12	SP	10/2/2020		10/2/2020	B
S.O. NO	DWG NO	SHEET	REV		
	1511-1 PCM Sales	1 of 1	00		