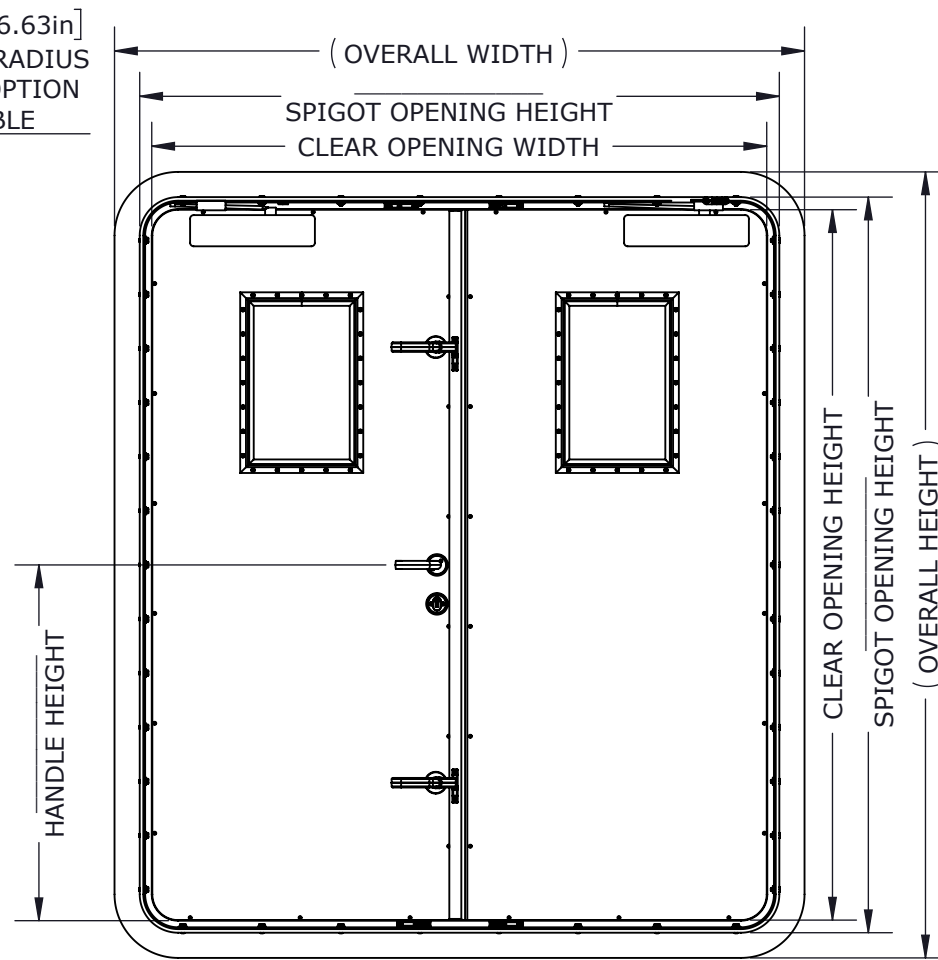
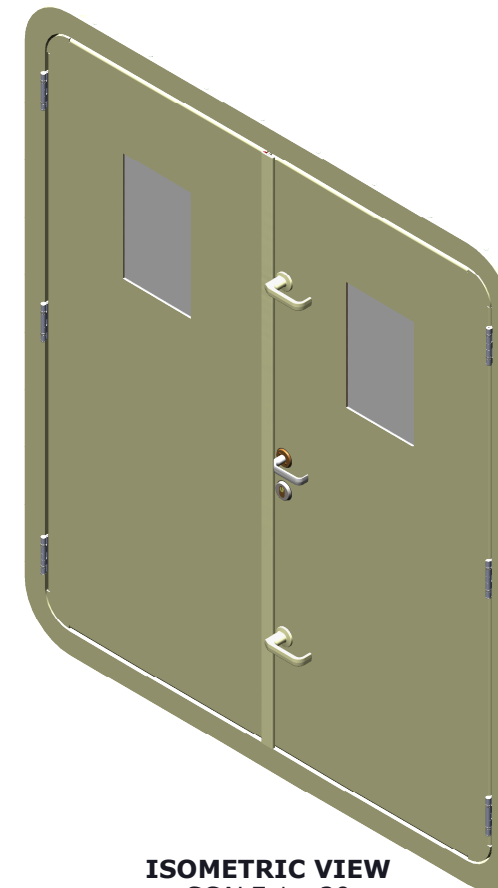


**EXTERIOR VIEW**

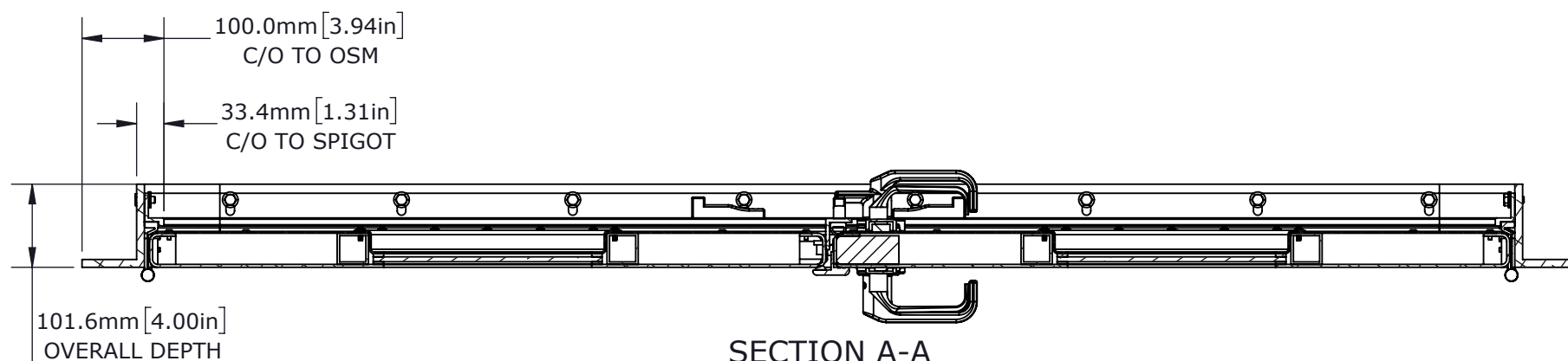


**INTERIOR VIEW**

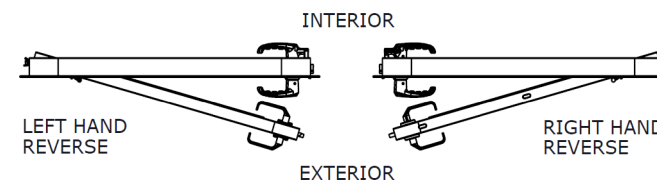
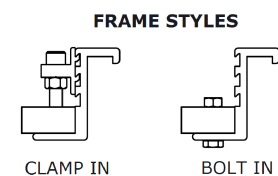
OVERALL = SPIGOT OPENING + 133.4mm[5.25 in]  
 CLEAR OPENING = SPIGOT OPENING - 66.8mm[2.36 in]  
 PLATE CUT = SPIGOT OPENING + 6.35mm[0.25 in]



**ISOMETRIC VIEW**  
SCALE 1 : 20



**SECTION A-A**  
SCALE 1 : 8



**OPTIONS**

<b>HANDING</b>	RIGHT HANDED	
	LEFT HANDED	
<b>LOCK</b>	LOCKING	
	NOT LOCKING	
<b>LOCK MECHANISM</b>	LOCKSET/HANDLE	
	LOCKSET/DEADBOLT	
	PASSAGE SET/HANDLE	
<b>DOG STYLE</b>	ALUMINIUM	
	CONCEALED	
	NYLON	
<b>WINDOW STYLE</b>	STAINLESS STEEL	
	FULL HEIGHT	
	HALF HEIGHT	
	CIRCULAR	
<b>FRAME STYLE</b>	NO PORTLIGHT	
	BOLT IN	
<b>*CORNER TYPE</b>	CLAMP IN	
	MITRED	
	ROUND	

**CUSTOMER**

ADVANTEC

**PROJECT**

1623 PCM SALES DRAWING

**DESCRIPTION**

STANDARD 1623 PCM SERIES  
MODEL AND DRAWING

CONTACT (604) 607-0091 DATE 10/2/2020



DWG TITLE 1623 SERIES DOOR CAGE CODE

DESCRIPTION Premium Duty, French Leaf, Formed Panel, Steel/Stainless Steel, Weathertight QTY

COPYRIGHT 2020 ADVANTEC GLOBAL INNOVATIONS. ALL RIGHTS RESERVED. CONFIDENTIAL PROPERTY OF ADVANTEC GLOBAL INNOVATIONS. UNAUTHORIZED USE, REPRODUCTION OR DISTRIBUTION IS STRICTLY PROHIBITED. COPIES REMAIN THE PROPERTY OF ADVANTEC GLOBAL INNOVATIONS AND MUST BE RETURNED UPON REQUEST.

SCALE 1:20	DRAWN SP	DATE 10/2/2020	CHECKED	DATE	SIZE B
S.O. NO	DWG NO	SHEET 1 of 1		REV 00	

1623 PCM Sales