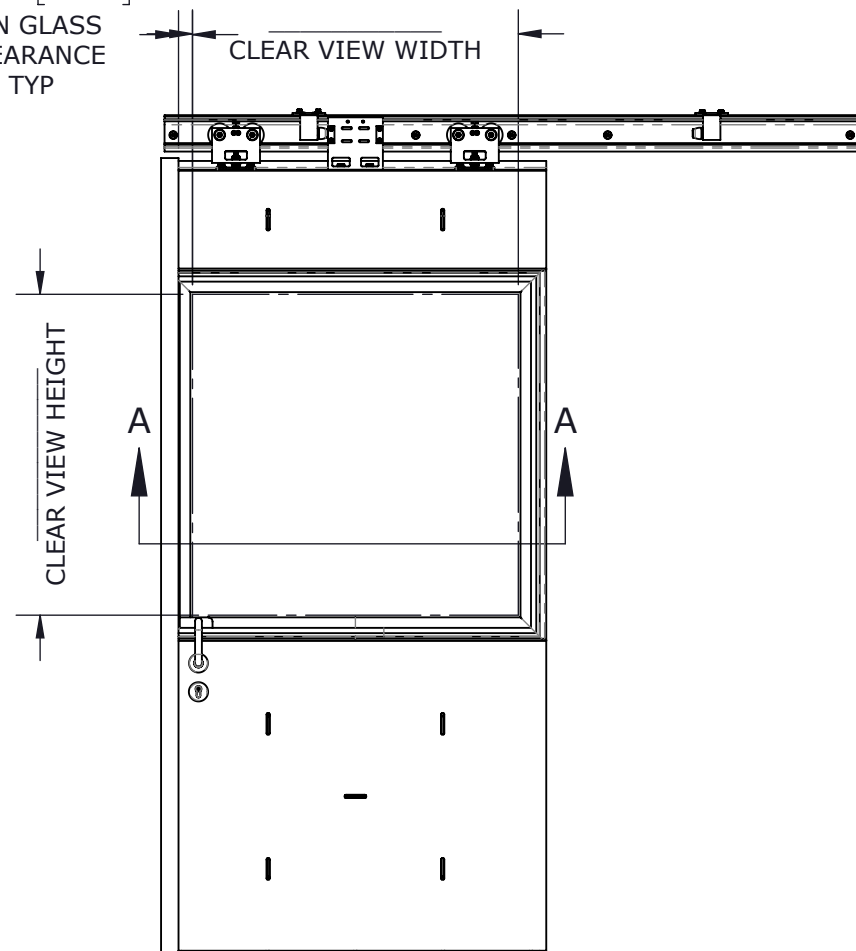
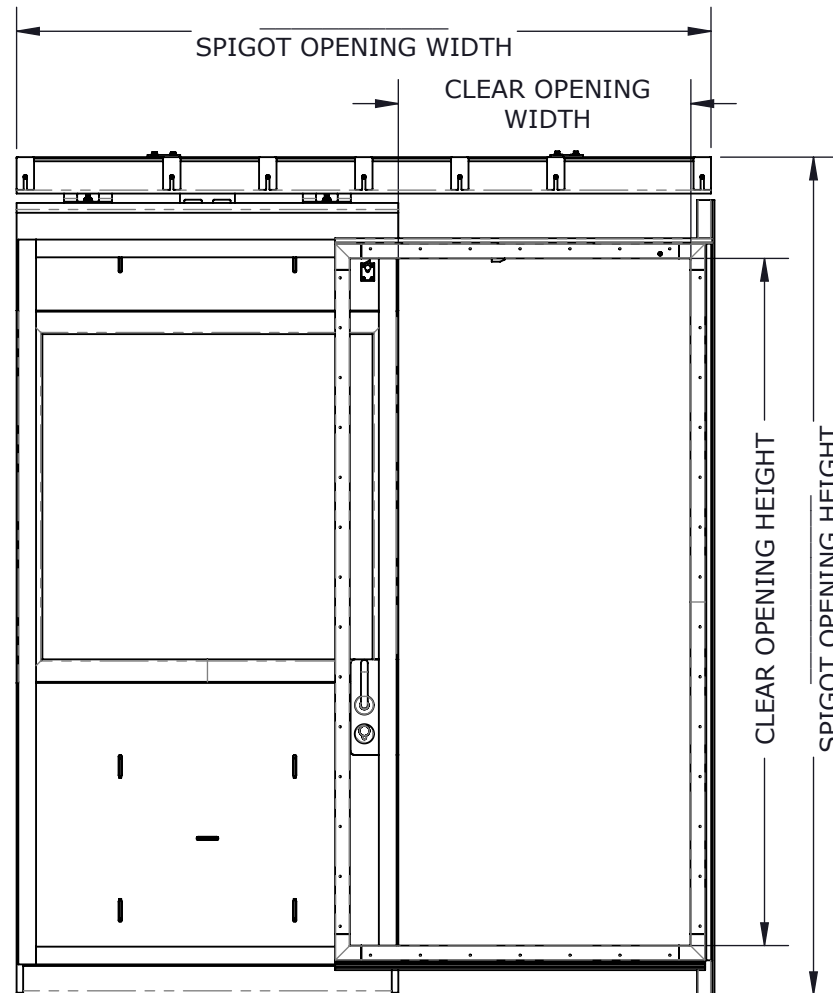


40.7mm [1.60in]  
MIN GLASS  
CLEARANCE  
TYP

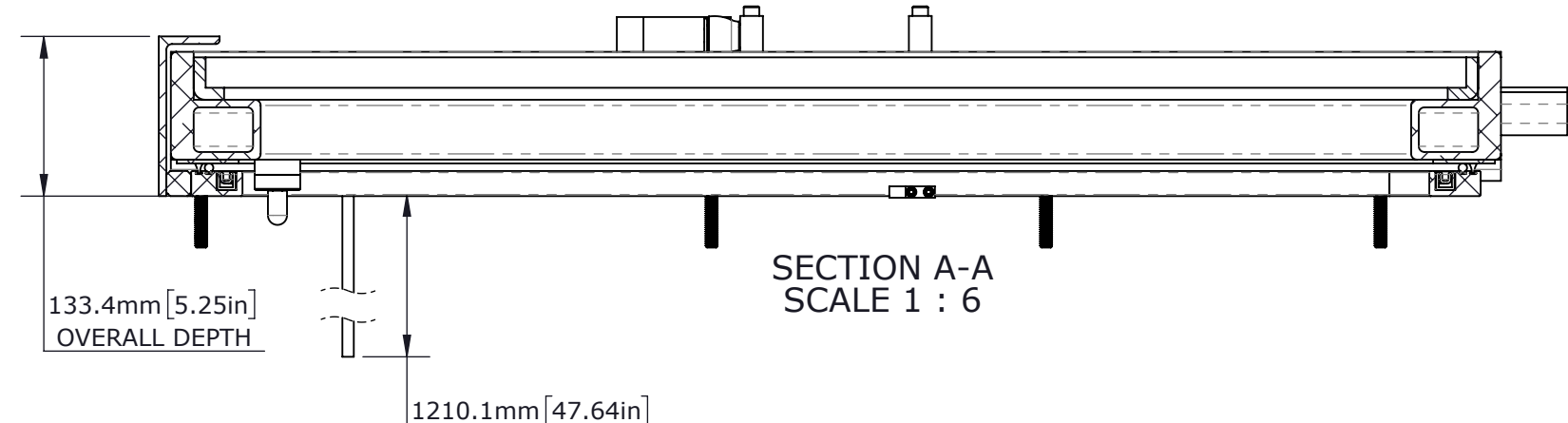
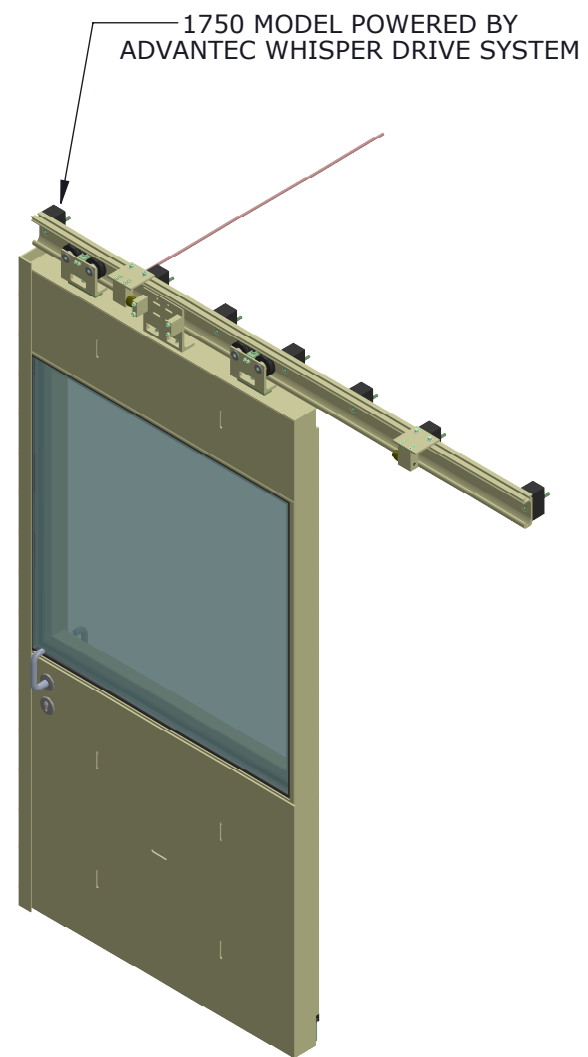


**EXTERIOR VIEW (CLOSED)**

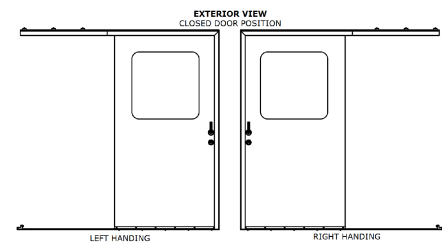


**INTERIOR VIEW (OPEN)**

OVERALL = SPIGOT OPENING  
CLEAR OPENING = SPIGOT OPENING - 1170.9mm[46.10in]WIDTH/437.4mm[17.22in]HEIGHT  
PLATE CUT = SPIGOT OPENING + 6.35mm[0.25in]



**SECTION A-A  
SCALE 1 : 6**



**OPTIONS**

<b>HANDING</b>	RIGHT HANDED	
	LEFT HANDED	
<b>LOCK</b>	LOCKING	
	NOT LOCKING	
<b>LOCK MECHANISM</b>	LOCKSET/HANDLE	
	LOCKSET/DEADBOLT	
	PASSAGE SET/HANDLE	
<b>WINDOW STYLE</b>	FULL HEIGHT	
	HALF HEIGHT	
	CIRCULAR	
	NO PORTLIGHT	
<b>OPENING SYSTEM</b>	AUTOMATIC	
	MANUAL	
<b>WHISPER DRIVE SYSTEM</b>		
<b>SAFETY</b>	EYE BEAMS & PINCH SENSORS	
<b>PUSH BUTTONS</b>	PIEZO LED (1-SET)	
<b>TOUCH SCREEN</b>	DISPLAY (4) PRESET MODES	
<b>GEAR BOX</b>	GEAR RATIO VARIES PER SYSTEM	
<b>CONTROL BOX SIZE [mm]</b>	420W X 356L X 165H	
<b>JUNCTION BOX SIZE [mm]</b>	420W X 356L X 165H	
<b>MAX DISTANCE</b>	JUNCTION BOX TO MOTOR 2.5m JUNCTION BOX TO CONTROL BOX 5m	
<b>BACK-UP</b>	BATTERY (10) FULL CYCLES	
<b>DRIVE TYPE</b>	BELT DRIVE	
<b>SECURITY</b>	PIN LOCK	

**CUSTOMER**

ADVANTEC

**PROJECT**

1750 PCM SALES DRAWING

**DESCRIPTION**

STANDARD 1750 PCM SERIES  
MODEL AND DRAWING

CONTACT (604) 607-0091	DATE 10/5/2020
---------------------------	-------------------



DWG TITLE 1750 SERIES DOOR	CAGE CODE
-------------------------------	-----------

DESCRIPTION Premium Duty, Sliding, Top-Hung Single Leaf 316L Polished - Manual or Automatic	QTY
--	-----

COPYRIGHT 2020 ADVANTEC GLOBAL INNOVATIONS. ALL RIGHTS RESERVED. CONFIDENTIAL PROPERTY OF ADVANTEC GLOBAL INNOVATIONS. UNAUTHORIZED USE, REPRODUCTION OR DISTRIBUTION IS STRICTLY PROHIBITED. COPIES REMAIN THE PROPERTY OF ADVANTEC GLOBAL INNOVATIONS AND MUST BE RETURNED UPON REQUEST.

SCALE 1:22	DRAWN SP	DATE 10/5/2020	CHECKED	DATE	SIZE B
---------------	-------------	-------------------	---------	------	-----------

S.O. NO	DWG NO 1750-1 PCM Sales	SHEET 1 of 1	REV 00
---------	----------------------------	--------------------	-----------