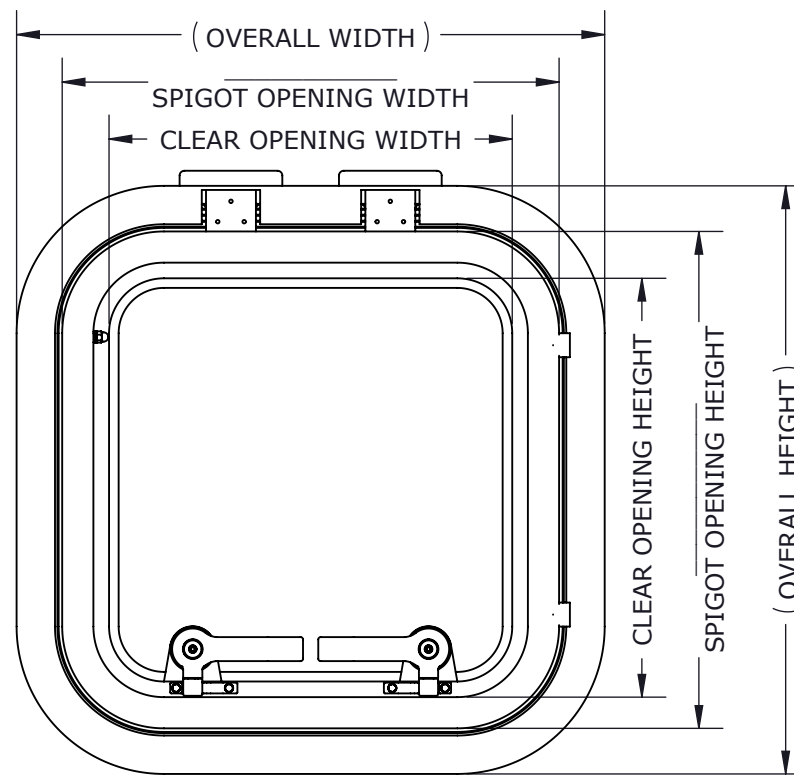
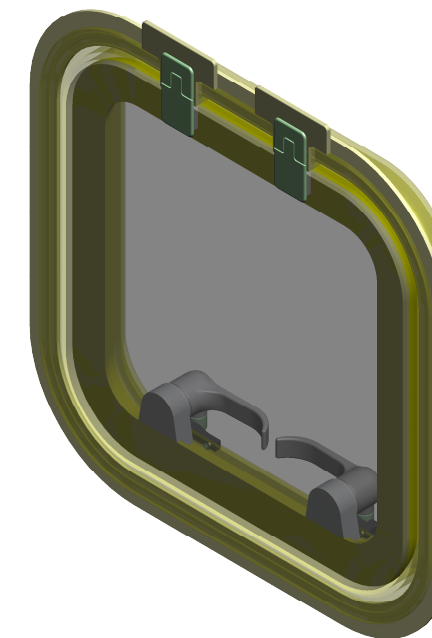


EXTERIOR VIEW

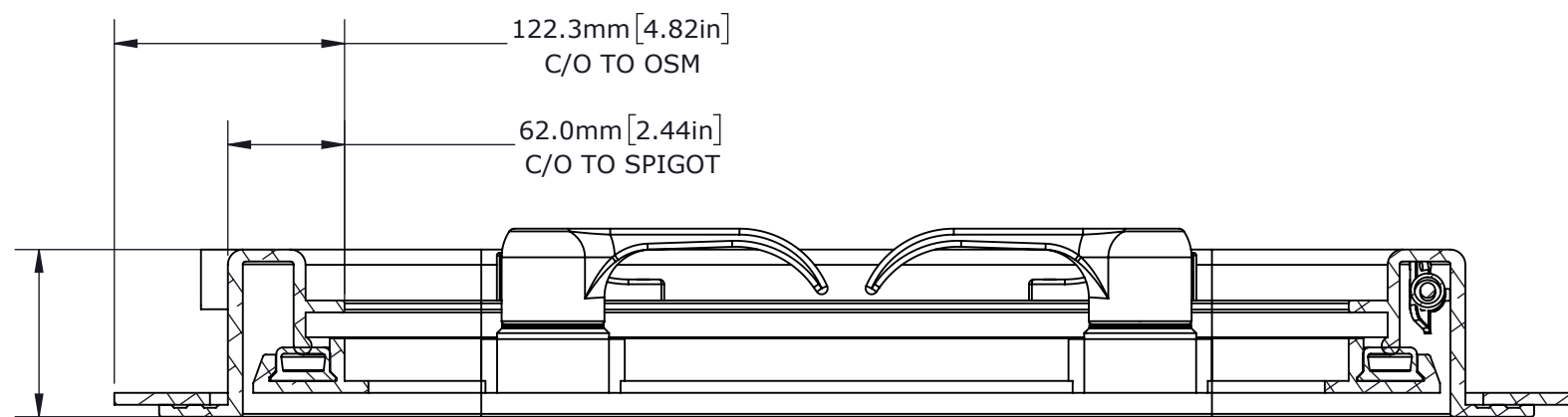


INTERIOR VIEW

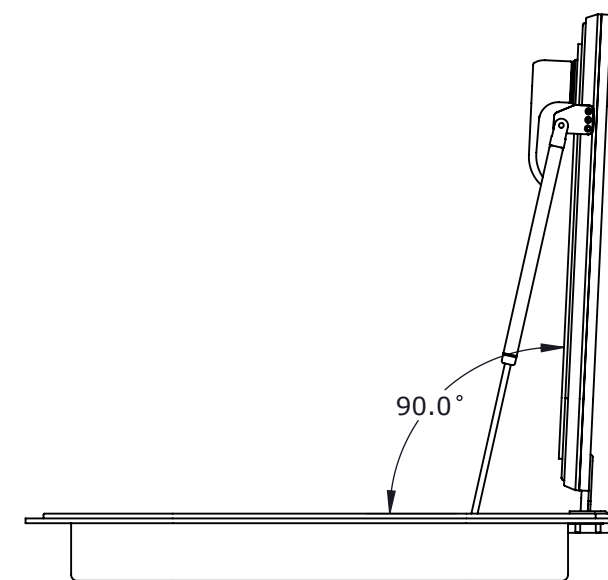
OVERALL = SPIGOT OPENING + 120.7mm[4.75in]
 CLEAR OPENING = SPIGOT OPENING - 124.0mm[4.88in]
 PLATE CUT = SPIGOT OPENING + 6.35mm[0.25in]



ISOMETRIC VIEW
SCALE 1 : 10



SECTION A-A
SCALE 1 : 4



SIDE VIEW

OPTIONS

HANDLE STYLE	REMOVABLE WINCH HANDLE
	BI-SQUARE
FRAME STYLE	BOLT IN
	WELD IN
*CORNER TYPE	MITRED
	ROUND

CUSTOMER

ADVANTEC

PROJECT

3150 PCM SALES DRAWING

DESCRIPTION

STANDARD 3150 PCM SERIES
MODEL AND DRAWING

CONTACT	DATE
(604) 607-0091	10/6/2020



PACIFIC COAST MARINE

DWG TITLE	CAGE CODE
3150 SERIES HATCH	

DESCRIPTION	QTY
Premium Duty, Lens Hatch, Individual Dog	

COPYRIGHT 2020 ADVANTEC GLOBAL INNOVATIONS. ALL RIGHTS RESERVED. CONFIDENTIAL PROPERTY OF ADVANTEC GLOBAL INNOVATIONS. UNAUTHORIZED USE, REPRODUCTION OR DISTRIBUTION IS STRICTLY PROHIBITED. COPIES REMAIN THE PROPERTY OF ADVANTEC GLOBAL INNOVATIONS AND MUST BE RETURNED UPON REQUEST.

SCALE	DRAWN	DATE	CHECKED	DATE	SIZE
1:10	SP	10/6/2020			B
S.O. NO	DWG NO	SHEET	REV		
	3150-1 PCM Sales	1 of 1	00		