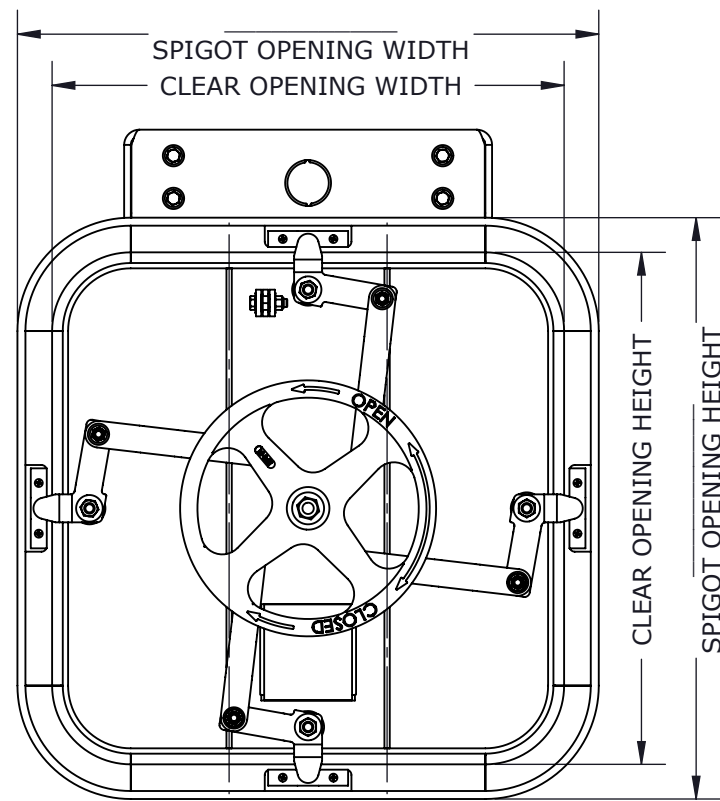


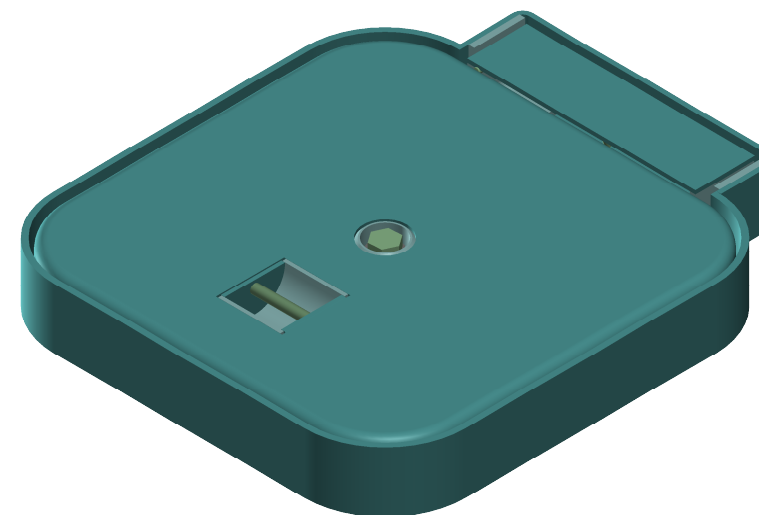
EXTERIOR VIEW

R135.0mm [5.32in]
STANDARD RADIUS
*MITERED OPTION
AVAILABLE

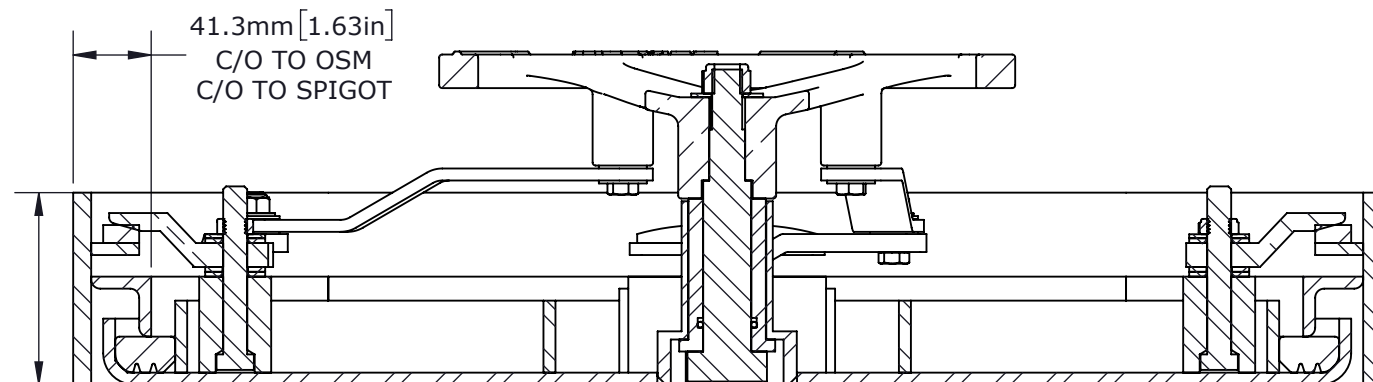


INTERIOR VIEW

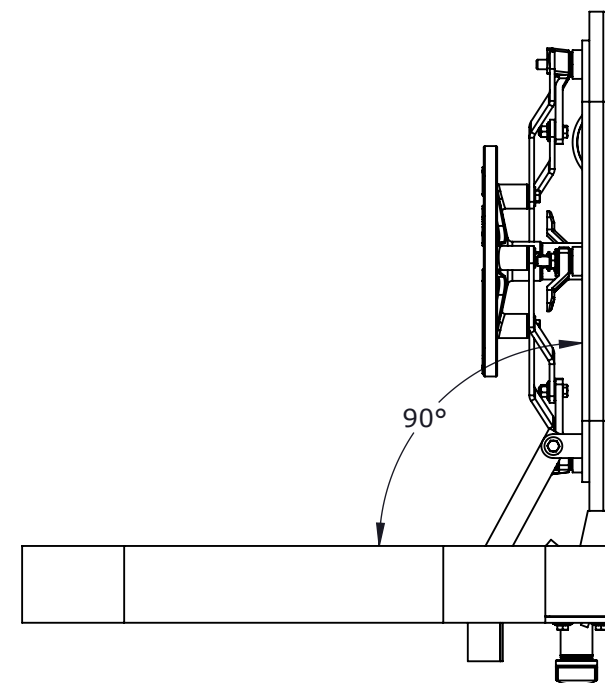
OVERALL = SPIGOT OPENING
CLEAR OPENING = SPIGOT OPENING - 82.6mm [3.25in]
PLATE CUT = SPIGOT OPENING + 6.35mm [0.25in]



ISOMETRIC VIEW
SCALE 1 : 9



SECTION A-A
SCALE 1 : 4



SIDE VIEW

OPTIONS

DOG STYLE	BRONZE QA	
	STAINLESS STEEL - QA OR INDIVIDUAL	
HANDLE STYLE	HAND WHEEL	
	RECESSED HANDLE	
FRAME STYLE	T STYLE HANDLE	
	BOLT-IN	
	WELD-IN	

CUSTOMER

ADVANTEC

PROJECT

3211 FREEMAN SALES DRAWING

DESCRIPTION

STANDARD 3211 FREEMAN SERIES MODEL AND DRAWING

CONTACT	DATE
(604) 607-0091	10/8/2020



DWG TITLE	CAGE CODE
3211 SERIES HATCH	

DESCRIPTION	QTY
Commercial Heavy Duty, Watertight, Flush	

COPYRIGHT 2020 ADVANTEC GLOBAL INNOVATIONS. ALL RIGHTS RESERVED. CONFIDENTIAL PROPERTY OF ADVANTEC GLOBAL INNOVATIONS. UNAUTHORIZED USE, REPRODUCTION OR DISTRIBUTION IS STRICTLY PROHIBITED. COPIES REMAIN THE PROPERTY OF ADVANTEC GLOBAL INNOVATIONS AND MUST BE RETURNED UPON REQUEST.

SCALE	DRAWN	DATE	CHECKED	DATE	SIZE
1:9	SP	10/8/2020			B
S.O. NO	DWG NO	SHEET	REV		
	3211-1 FME Sales	1 of 1	00		