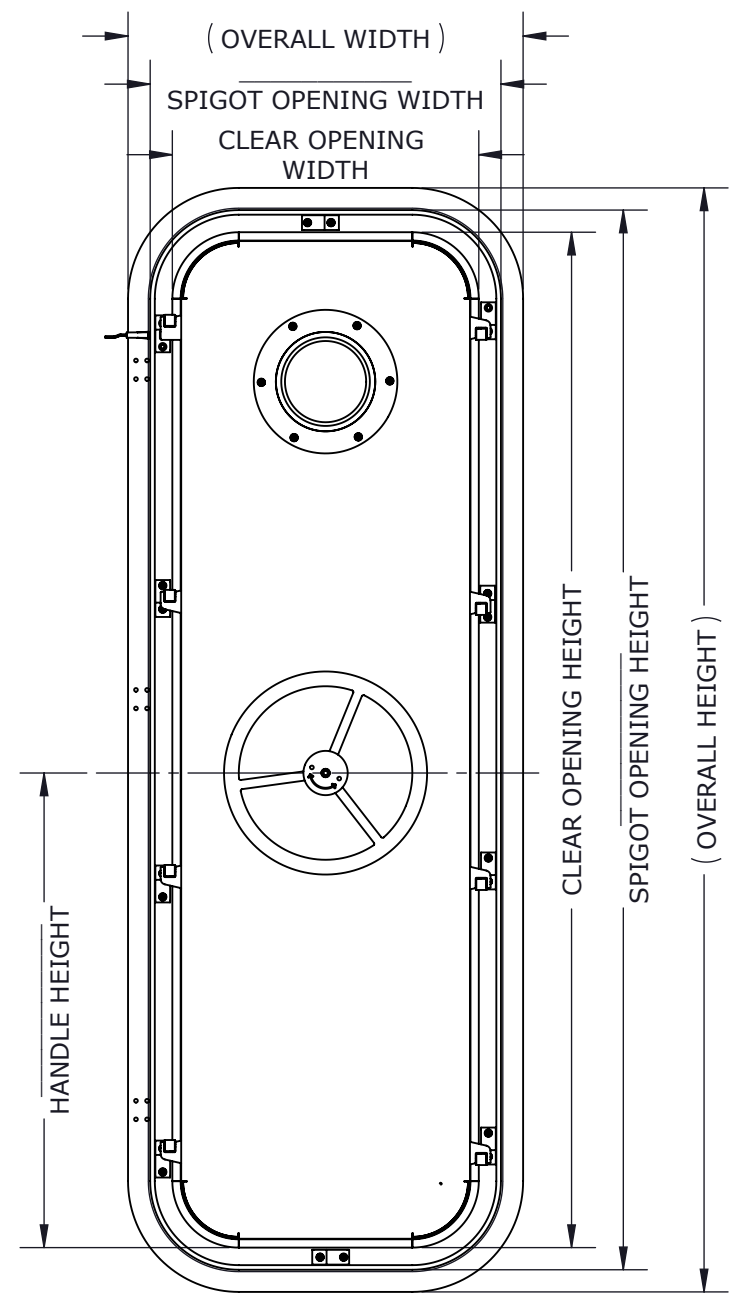


EXTERIOR VIEW

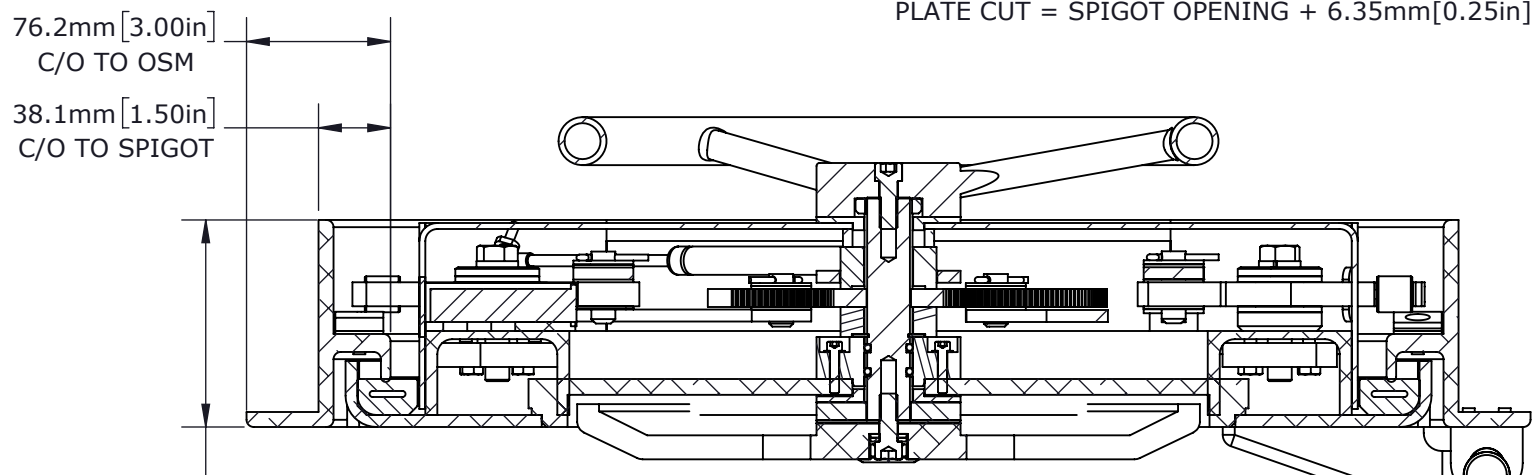


INTERIOR VIEW

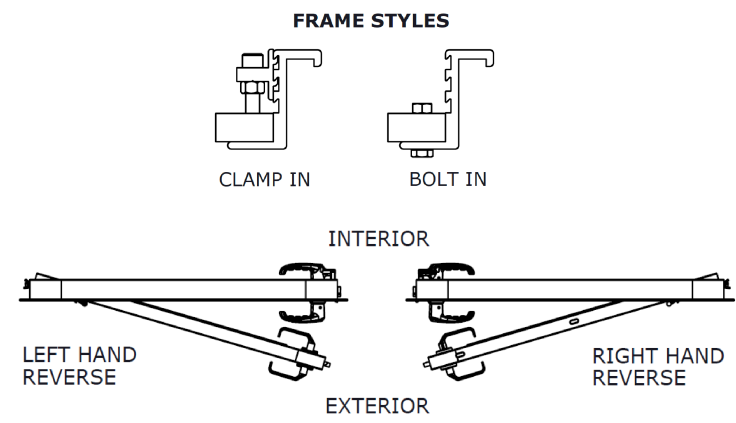
OVERALL = SPIGOT OPENING + 76.2mm[3.00in]
 CLEAR OPENING = SPIGOT OPENING - 76.2mm[3.00in]
 PLATE CUT = SPIGOT OPENING + 6.35mm[0.25in]



ISOMERIC VIEW
SCALE 1 : 13



SECTION A-A
SCALE 1 : 4



OPTIONS	
HANDING	RIGHT HANDED
	LEFT HANDED
LOCK	LOCKING
	NOT LOCKING
LOCK MECHANISM	HAND WHEELS
	RECESSED OUTER WHEEL
	HAND WHEELS W/ GEARBOX
DOG STYLE	ROLLER DOG W/ LINKAGE
	ROD DOGS
WINDOW STYLE	CIRCULAR
	NO PORTLIGHT
FRAME STYLE	BOLT IN
	CLAMP IN
*CORNER TYPE	MITRED
	ROUND
HINGES	SURFACE
	CONCEALED

CUSTOMER
ADVANTEC
PROJECT
1220 PCM SALES DRAWING

DESCRIPTION
STANDARD 1220 PCM SERIES MODEL AND DRAWING

CONTACT (604) 607-0091 DATE 9/30/2020



DWG TITLE 1220 SERIES DOOR CAGE CODE

DESCRIPTION Premium Duty, Formed Panel, Aluminum, Steel/Stainless Steel, Watertight QTY

COPYRIGHT 2020 ADVANTEC GLOBAL INNOVATIONS. ALL RIGHTS RESERVED. CONFIDENTIAL PROPERTY OF ADVANTEC GLOBAL INNOVATIONS. UNAUTHORIZED USE, REPRODUCTION OR DISTRIBUTION IS STRICTLY PROHIBITED. COPIES REMAIN THE PROPERTY OF ADVANTEC GLOBAL INNOVATIONS AND MUST BE RETURNED UPON REQUEST.

SCALE 1:13	DRAWN SP	DATE 9/30/2020	CHECKED	DATE	SIZE B
S.O. NO.	DWG NO. 1220-1 PCM SALES	SHEET 1 of 1	REV 00		