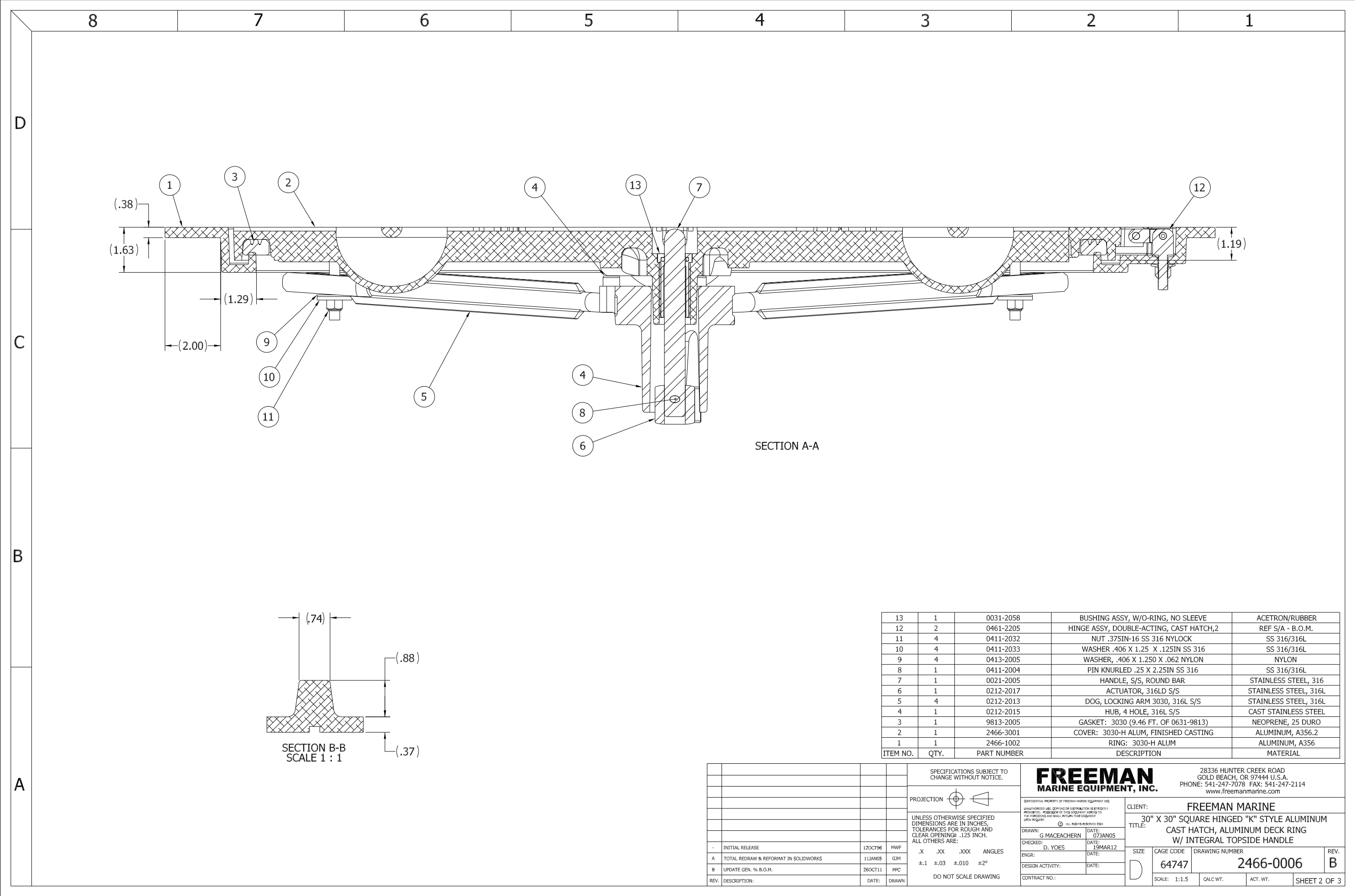


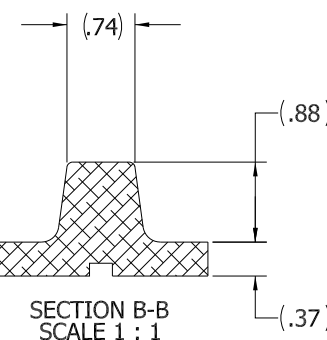
- 10. FOR SPECIFIC INFORMATION CONTACT SALES.
- 9. COMPLETE ASSEMBLY WEIGHT W/ DECK RING, 87.7LBS/ 39.7K.
- 8. DOGGING PRESSURE FULLY ADJUSTABLE.
- 7. HANDLE POSITION TOPSIDE INDICATES WHETHER DOGGING MECHANISM IS IN OPEN OR CLOSED POSITION.
- 6. STAINLESS STEEL MECHANISM SHOWN.
- 5. FLUSH, WATERTIGHT CONSTRUCTION.
- 4. INTEGRAL TOPSIDE "T" HANDLE STANDARD, OTHER TOPSIDE ACTUATION AVAILABLE.
- 3. CAST ALUMINUM ALLOY FLANGE, FLANGE CAN BE DRILLED FOR BOLTED INSTALLATIONS OR WELDED TO ALUMINUM.
- 2. QUICK-ACTING, MECHANISM ENGAGES OR DISENGAGES IN QUARTER-TURN OF CENTER SPINDLE.
- 1. 30.1" X 30.1" CLEAR OPENING, ALL DIMENSIONS SHOWN SUBJECT TO CASTING VARIATION AND ARE REFERENCE ONLY.

NOTES: UNLESS OTHERWISE SPECIFIED.

SPECIFICATIONS SUBJECT TO CHANGE WITHOUT NOTICE.			FREEMAN MARINE EQUIPMENT, INC. 28336 HUNTER CREEK ROAD GOLD BEACH, OR 97444 U.S.A. PHONE: 541-247-7078 FAX: 541-247-2114 www.freemanmarine.com	
PROJECTION			CLIENT: FREEMAN MARINE TITLE: 30" X 30" SQUARE HINGED "K" STYLE ALUMINUM CAST HATCH, ALUMINUM DECK RING W/ INTEGRAL TOPSIDE HANDLE	
UNLESS OTHERWISE SPECIFIED DIMENSIONS ARE IN INCHES. TOLERANCES FOR ROUGH AND CLEAR OPENING: .125 INCH. ALL OTHERS ARE: .X .XX .XXX ANGLES ±.1 ±.03 ±.010 ±2°			CONFIDENTIAL PROPERTY OF FREEMAN MARINE EQUIPMENT INC. UNLESS OTHERWISE SPECIFIED OR OTHERWISE INDICATED. PERMISSION TO REPRODUCE THIS DOCUMENT WITHOUT THE WRITTEN AND SIGNED AUTHORITY OF FREEMAN MARINE EQUIPMENT INC. IS PROHIBITED.	
DRAWN: G MACEACHERN DATE: 07JAN05 CHECKED: D. YOES DATE: 19MAR12 ENGR: DATE: DESIGN ACTIVITY: DATE: CONTRACT NO.:			SIZE: D CAGE CODE: 64747 DRAWING NUMBER: 2466-0006 SCALE: 1:4 CALC. WT. ACT. WT.	
- INITIAL RELEASE 12OCT96 MWF A TOTAL REDRAW & REFORMAT IN SOLIDWORKS 11JAN05 GJM B UPDATE GEN. % B.O.M. 26OCT11 PPC			REV. B SHEET 1 OF 3	



SECTION A-A



SECTION B-B
SCALE 1:1

ITEM NO.	QTY.	PART NUMBER	DESCRIPTION	MATERIAL
13	1	0031-2058	BUSHING ASSY, W/O-RING, NO SLEEVE	ACETRON/RUBBER
12	2	0461-2205	HINGE ASSY, DOUBLE-ACTING, CAST HATCH,2	REF S/A - B.O.M.
11	4	0411-2032	NUT .375IN-16 SS 316 NYLOCK	SS 316/316L
10	4	0411-2033	WASHER .406 X 1.25 X .125IN SS 316	SS 316/316L
9	4	0413-2005	WASHER, .406 X 1.250 X .062 NYLON	NYLON
8	1	0411-2004	PIN KNURLED .25 X 2.25IN SS 316	SS 316/316L
7	1	0021-2005	HANDLE, S/S, ROUND BAR	STAINLESS STEEL, 316
6	1	0212-2017	ACTUATOR, 316LD S/S	STAINLESS STEEL, 316L
5	4	0212-2013	DOG, LOCKING ARM 3030, 316L S/S	STAINLESS STEEL, 316L
4	1	0212-2015	HUB, 4 HOLE, 316L S/S	CAST STAINLESS STEEL
3	1	9813-2005	GASKET: 3030 (9.46 FT. OF 0631-9813)	NEOPRENE, 25 DURO
2	1	2466-3001	COVER: 3030-H ALUM, FINISHED CASTING	ALUMINUM, A356.2
1	1	2466-1002	RING: 3030-H ALUM	ALUMINUM, A356

REV.	DESCRIPTION	DATE	DRAWN
-	INITIAL RELEASE	12OCT96	MWF
A	TOTAL REDRAW & REFORMAT IN SOLIDWORKS	11JAN05	GJM
B	UPDATE GEN. % B.O.M.	26OCT11	PPC

SPECIFICATIONS SUBJECT TO CHANGE WITHOUT NOTICE.

PROJECTION

UNLESS OTHERWISE SPECIFIED DIMENSIONS ARE IN INCHES. TOLERANCES FOR ROUGH AND CLEAR OPENINGS: .125 INCH. ALL OTHERS ARE:
 .X .XX .XXX ANGLES
 ±.1 ±.03 ±.010 ±2°

DO NOT SCALE DRAWING

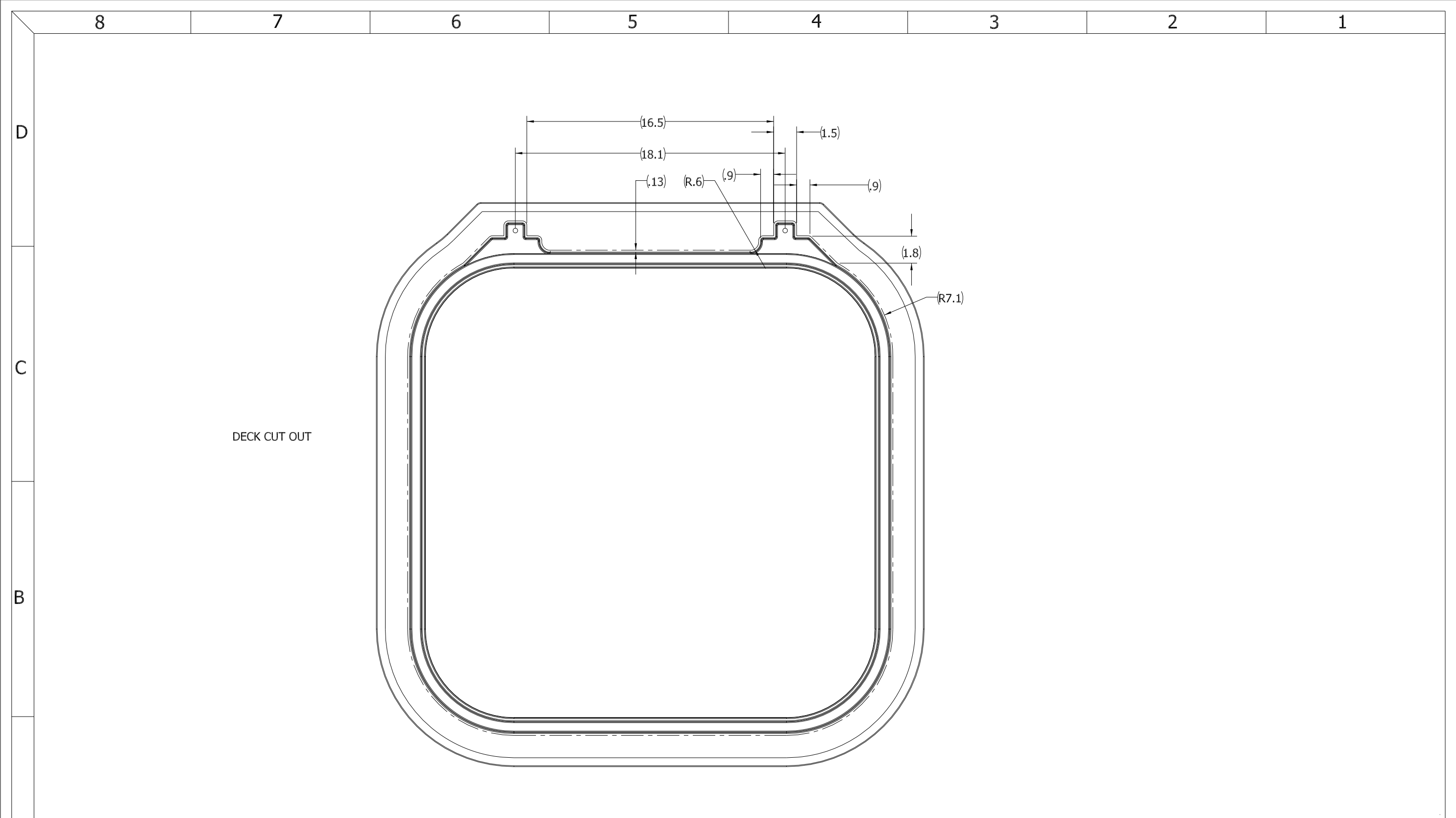
FREEMAN MARINE EQUIPMENT, INC.
 28336 HUNTER CREEK ROAD
 GOLD BEACH, OR 97444 U.S.A.
 PHONE: 541-247-7078 FAX: 541-247-2114
 www.freemanmarine.com

CLIENT: **FREEMAN MARINE**

TITLE: **30" X 30" SQUARE HINGED "K" STYLE ALUMINUM CAST HATCH, ALUMINUM DECK RING W/ INTEGRAL TOPSIDE HANDLE**

SIZE: **D** CAGE CODE: **64747** DRAWING NUMBER: **2466-0006** REV. **B**

SCALE: 1:1.5 CALC. WT. ACT. WT. SHEET 2 OF 3



DECK CUT OUT

REV.	DESCRIPTION	DATE	DRAWN
-	INITIAL RELEASE	12OCT96	MWF
A	TOTAL REDRAW & REFORMAT IN SOLIDWORKS	11JAN05	GJM
B	UPDATE GEN. % B.O.M.	26OCT11	PPC

SPECIFICATIONS SUBJECT TO CHANGE WITHOUT NOTICE.

PROJECTION

UNLESS OTHERWISE SPECIFIED DIMENSIONS ARE IN INCHES. TOLERANCES FOR ROUGH AND CLEAR OPENINGS: .125 INCH. ALL OTHERS ARE:
 .X .XX .XXX ANGLES
 ±.1 ±.03 ±.010 ±2°

DO NOT SCALE DRAWING

FREEMAN MARINE EQUIPMENT, INC. <small>CONFIDENTIAL PROPERTY OF FREEMAN MARINE EQUIPMENT, INC. QUALITY CONTROLLED. NO REPRODUCTION OR DISTRIBUTION IS PERMITTED WITHOUT THE WRITTEN PERMISSION OF THIS COMPANY. ANY REPRODUCTION OR DISTRIBUTION WITHOUT THE WRITTEN PERMISSION OF THIS COMPANY IS PROHIBITED.</small>		28336 HUNTER CREEK ROAD GOLD BEACH, OR 97444 U.S.A. PHONE: 541-247-7078 FAX: 541-247-2114 www.freemanmarine.com	
CLIENT: FREEMAN MARINE		TITLE: 30" X 30" SQUARE HINGED "K" STYLE ALUMINUM CAST HATCH, ALUMINUM DECK RING W/ INTEGRAL TOPSIDE HANDLE	
DRAWN: G MACEACHERN CHECKED: D. YOES ENGR:	DATE: 07JAN05 DATE: 19MAR12 DATE:	SIZE: D CAGE CODE: 64747 SCALE: 1:4	DRAWING NUMBER: 2466-0006 REV. B ACT. WT. SHEET 3 OF 3