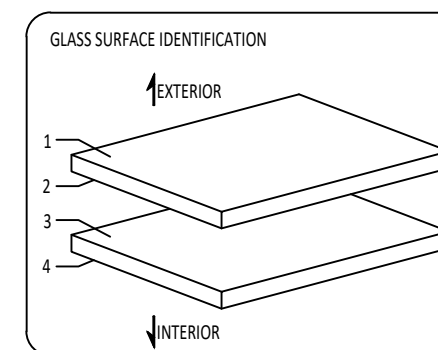


CONTROL BOX



1-NONE **2-FRIT**
3-NONE **4-FRIT**

REVISIONS		
REV	DESCRIPTION	DATE
00	INITIAL DRAWING	-
01	SIZE UPDATED	3/17/21

DIMENSIONS REFERENCE SPIGOT WITH DEDUCTION WHERE APPLICABLE

GENERAL TOLERANCE +0"/-1/4" (FROM DESIGNED SPIGOT SIZE)

X - DENOTES ACTIVE PANEL
O - DENOTES FIXED PANEL

- GENERAL NOTES UNLESS OTHERWISE SPECIFIED
- TYPE: HEATED GLASS
 - MATERIAL: -
 - FINISH: FLAT GRIND
 - GLASS: HEATED (1/4" CLR TEMP/060 PVB/ 1/4" CLR H/S,110V)
 - INSTALL: -
 - CORNERS: 3 1/2" RADIUS
 - VIEW: OUTSIDE LOOKING IN

CUSTOMER APPROVAL

IMPORTANT! THIS DRAWING SUPERSEDES ALL OTHER DOCUMENTS. BY SIGNING THIS APPROVAL YOU ACCEPT AND AGREE THAT THE DIMENSIONS AND DETAILS SHOWN ARE CORRECT AND PROPERLY FIT YOUR APPLICATION, REGARDLESS OF ANY DIFFERENCES BETWEEN THIS DRAWING AND ANY CONTRACT SPECIFICATIONS. SHOULD YOU SEE ANY ERRORS IN THE DRAWING, OR HAVE ANY QUESTIONS, PLEASE CONTACT YOUR FREEMAN MARINE SALES ENGINEER FOR CLARIFICATION.

SIGN _____ DATE _____



COPYRIGHT 2015 ADVANTEC MANUFACTURING. ALL RIGHTS RESERVED. CONFIDENTIAL PROPERTY OF ADVANTEC MANUFACTURING. UNAUTHORIZED USE, REPRODUCTION OR DISTRIBUTION IS STRICTLY PROHIBITED. COPIES REMAIN THE PROPERTY OF ADVANTEC MANUFACTURING AND MUST BE RETURNED UPON REQUEST.

CLIENT
DAUGHN CARPENTER

DWG TITLE
CENTER W/S

SCALE	DRAWN BY	DATE	CHECKED BY	DATE	SHEET
NTS	AL	3/17/21	-	-	1
DWG NO	507683				REV
					01