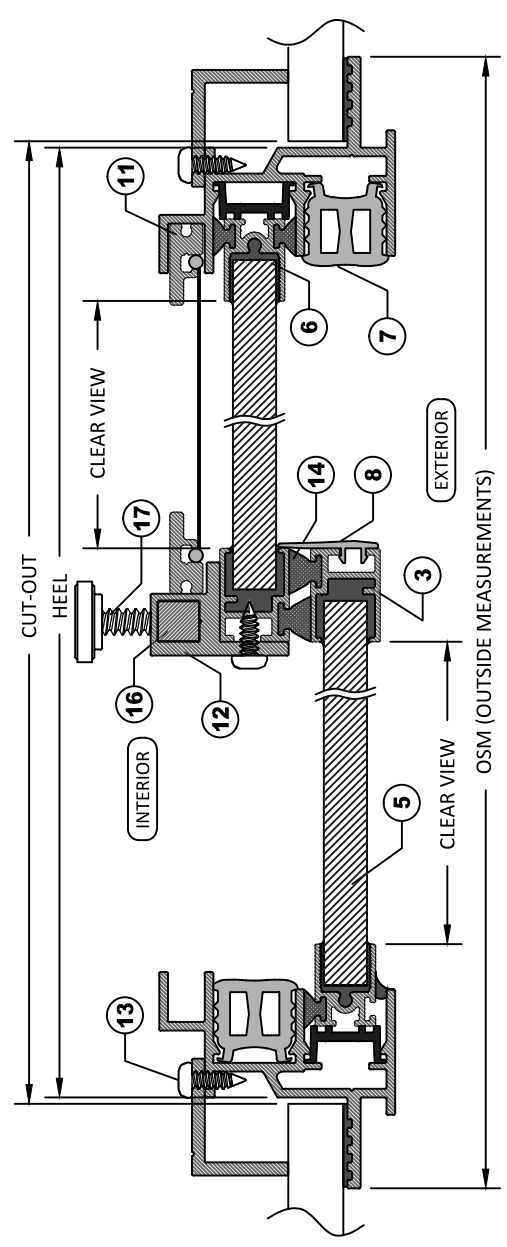
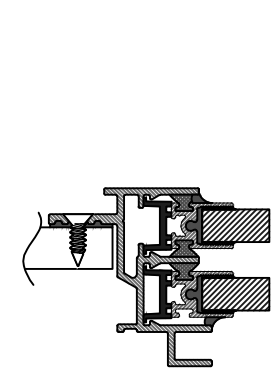


ID	DESCRIPTION	DIMENSION
A	FLANGE COVERAGE	21mm (13/16")
B	EXTERIOR PROTRUSION	11mm (7/16")
C	INTERIOR PROTRUSION	44mm (1 11/16")
D	SPIGOT TO CLEARVIEW	29mm (1 1/8")
E	FLANGE THICKNESS	3mm (1/8")

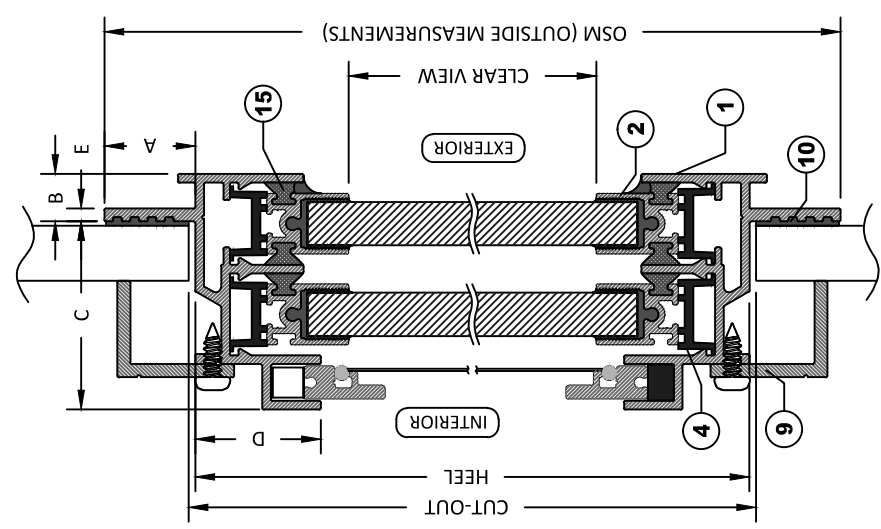
ITEMS		DESCRIPTION	MATERIAL	PART NUMBER
1	MOUNTING FRAME		6063 ALUMINUM	MT-EX17698
2	VENT		6063 ALUMINUM	MT-EX782146
3	T-BAR		6063 ALUMINUM	MT-EX780989
4	TRACK		6063 ALUMINUM	AD-VV1802
5	GLAZING		GLASS (SEE DRAWING TO DETERMINE)	
6	GLAZING MATERIAL		URETHANE	
7	PLUG/STOP		FLEXIBLE PVC	AD-VV21708M
8	T-BAR FLAP 106		FLEXIBLE PVC	AD-VV1801A
9	TRIM RING		6063 ALUMINUM	
10	BEDDING COMPOUND		CUSTOMER SUPPLY	
11	SCREEN (OPTIONAL)		6063 ALUMINUM	
12	MULTI LOCK		6063 ALUMINUM	
13	TRIM SCREWS		S.S.	
14	T-BAR WEATHER STRIP W/FIN		FRP	AD - WS270_7532
15	WEATHER STRIP W/O FIN		FRP	AD - WS187_8335D5
16	MULTI LOCK PIN		6063 ALUMINUM	HW - CU60012
17	MULTI LOCK KNOB		6063 ALUMINUM	HW - LS5554



SECTION A-A WITH CLAMP IN INSTALLATION



OPTIONAL BOLT-ON INSTALLATION



SECTION B-B WITH CLAMP IN INSTALLATION

**dsq** Diamond Sea Glaze  
*Crystal Clear. Rock & Ice*

DIAMOND SEA GLAZE MANUFACTURING LTD.  
26995 GLOUCESTER WAY, LANGLEY B.C.  
CANADA V4W 3Y3  
TOLL FREE: 1-800-770-0455  
PHONE: 604-607-0091  
FAX: 604-607-0092

DRAWING NUMBER	106RS	ITEM NAME	106RS
SCALE	NTS	ITEM DESCRIPTION	SLIDING OPENING WINDOW
BY	LD/RH		

ALL DRAWINGS AND ANY ASSOCIATED INFORMATION HEREON CONTAIN PROPRIETARY AND/OR CONFIDENTIAL INFORMATION, AND SHALL NOT BE REPRODUCED, DISCLOSED OR SUBMITTED TO ANY THIRD PARTY WITHOUT PRIOR CONSENT FROM DIAMOND SEA GLAZE MANUFACTURING LTD.

- NOTES:**
- GENERAL HEEL TOLERANCE +0/-1/4" OVERALL
  - AVAILABLE WITH 3" (76MM) RADIUS OR MITERED CORNERS
  - STANDARD MOUNTING HOLES ARE 3/16" WITH #10 COUNTERSUNK